

Neenah R-4990-AA Airport

Series

R-4990-AA

Cut Sheet

8" Wide Airport Bolted

8" Wide NEENAH Airport Bolted Extra Heavy Duty Trench Drain Grates and Frames

Product ID: R-4990-AA



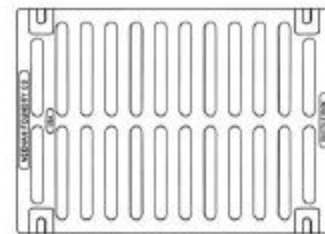
8" Wide Airport Neenah R-4990-AA Series Trench Grate and Frame

Frame is included / Bolted assembly - Please call if only Grate is needed.

Catalog No.	A	B	C	Grate Matl.
R-4990-AA	8	2	6	Gray Iron
R-4990-BA	10	2	8	Gray Iron
R-4990-CA	12	2	10	Ductile Iron
R-4990-DA ***	14	2	12	Ductile Iron
R-4990-EA *	17	2	15	Ductile Iron
R-4990-FA *	20	2	18	Ductile Iron
R-4990-HA *	26	2	24	Ductile Iron
R-4990-KA2 *	34	2	31	Ductile Iron
R-4990-OA *	51	2	48	Ductile Iron

* Type D solid cover available.

** Type C grate available.



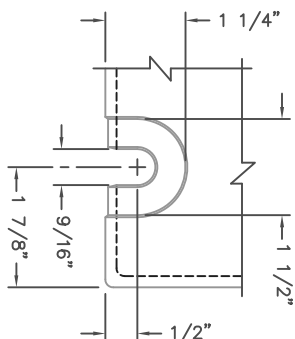
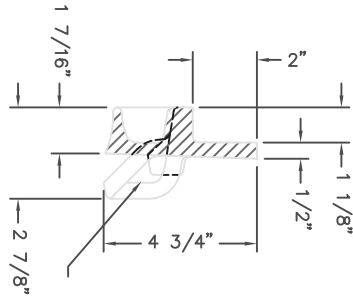
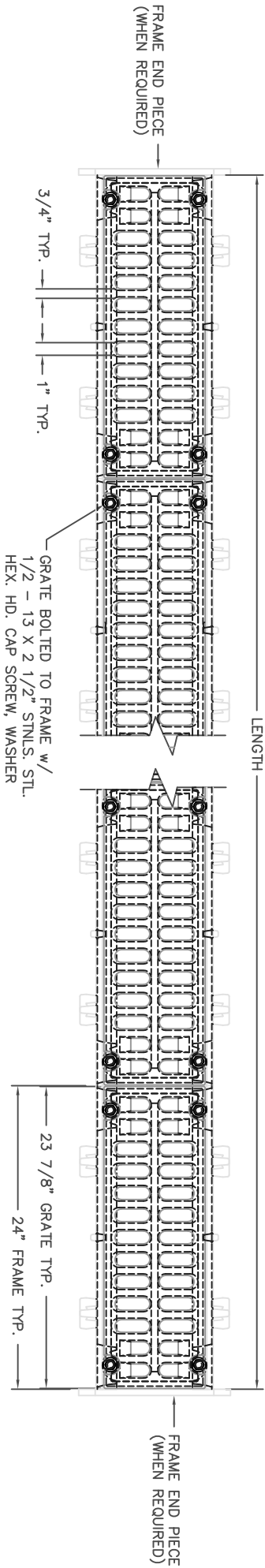
TYPE "A"
GRATE OPENINGS

These trench drains are capable of supporting the heavy wheel loads of today's commercial environments. Grates are bolted to gray iron frames.

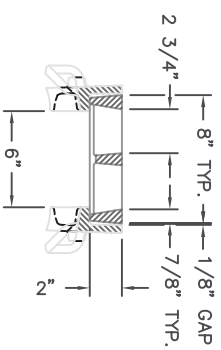
Suitable for aircraft loading per FAA Advisory Circular AC150/5320-6D.

**Gray iron furnished per ASTM-A48 Class 35B.
Ductile Iron furnished per ASTM A536 Grade 80-55-06.**



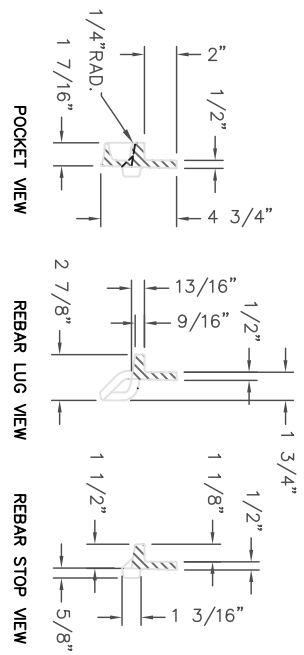
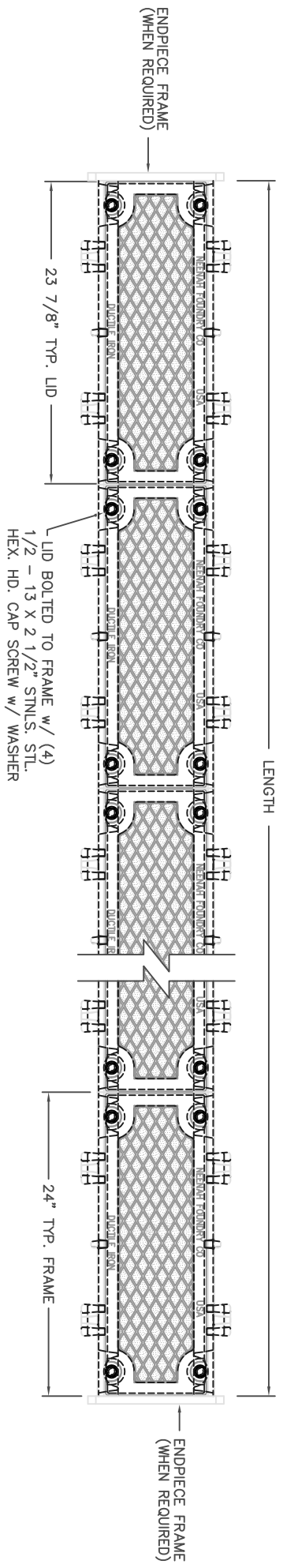


R-4990-AA BOLTED
 TYPE "A" GRATE AND TYPE "B" FRAME
 TYPICAL SECTION

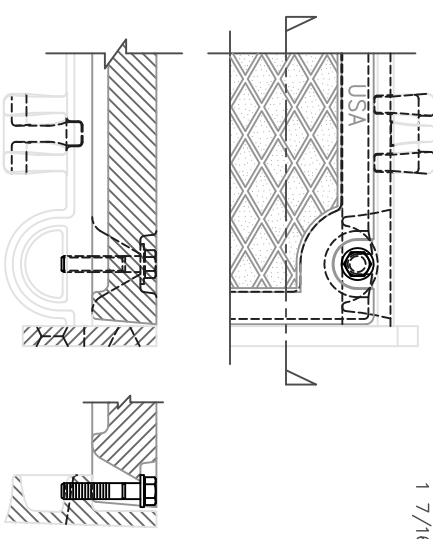
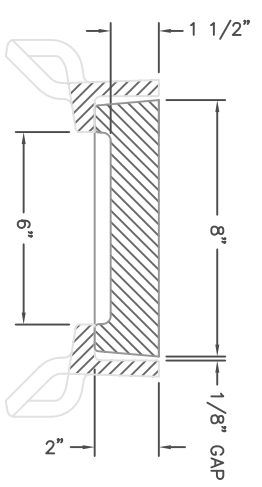


COMP. NOS.: SIDE FRAME 4999-2400; END FRAME 4990-3108; GRATE 4999-0008
 MATERIAL: GRATES AND END FRAMES - CAST GRAY IRON ASTM A-48, CLASS 35B
 SIDE FRAMES - CAST GRAY IRON ASTM A-48, CLASS 35A
 FINISH: NO PAINT

DR.	E. NIVER	SCALE	1/8"=1"	TITLE	R-4990-AA DOUBLE BOLT STYLE TYPE "A" GRATE w/ TYPE "B" FRAME
CH.		DWG. CHK.		NEENAH FOUNDRY COMPANY KENNAH WISCONSIN 54985	
APP.		DATE	11-20-2009		
CAD DWG. REF: 4990AA ABDWG-2 06-06-2013 CHANGED THE METAL SPEC PER AIAI REVISION DATE					

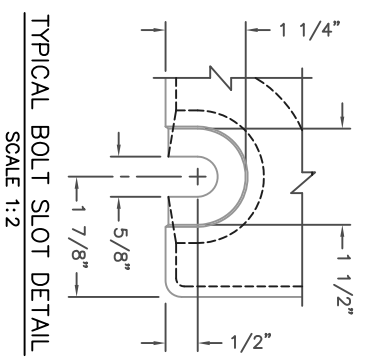


SIDE FRAME SECTION VIEWS



FRAME AND COVER SHOWING DEBRIS CHUTE

SCALE 1:4



COMP. NOS.: SIDE FRAME 4999-2400; END FRAME 4990-3108;
 LID 4999-2XXX (NEW PATTERN)

MATERIAL: SIDE FRAMES - CAST GRAY IRON ASTM A-48, CLASS 35A,
 END FRAMES - CAST GRAY IRON ASTM A-48, CLASS 35B,
 LIDS - CAST DUCTILE IRON ASTM A536, GRADE 80-55-06

FINISH: NO PAINT

CAD DWG. REF: 4990AA DB.DWG-2

DR.	E. NIVER	SCALE	1/8"=1"	TITLE	R-4990-AA DOUBLE BOLT STYLE TYPE "D" LID w/ TYPE "B" FRAME
CH.		DWG. CHK.		APP.	NEENAH FOUNDRY COMPANY
DATE	11-20-2009	DATE	11-20-2009	REV.	1
Δ 08-05-2013 CHANGED THE FRAME METL SPEC PER STAN RESUME EBN REVISION				NEENAH FOUNDRY COMPANY KEWAUKEE WISCONSIN 54995	
NF-					
B					

R-4990 Airport, Port & Heavy Industrial Series

BOLTED TRENCH FOR EXTRA HEAVY DUTY APPLICATIONS

These trench drains are capable of supporting the heavy wheel loads of today's commercial environments. For larger trench widths or greater loading requirements, please contact our Product Engineering Department.

Grates are bolted to gray iron frames.

For suggested forming procedures, see page 285.

Suitable for aircraft loading per FAA Advisory Circular AC150/5320-6D.

Catalog No.	A	B	C	Grate Matl.
R-4990-AA	8	2	6	Gray Iron
R-4990-BA	10	2	8	Gray Iron
R-4990-CA	12	2	10	Ductile Iron
R-4990-DA * **	14	2	12	Ductile Iron
R-4990-EA *	17	2	15	Ductile Iron
R-4990-FA *	20	2	18	Ductile Iron
R-4990-HA *	26	2	24	Ductile Iron
R-4990-KA2 *	34	2	31	Ductile Iron
R-4990-OA *	51	2	48	Ductile Iron

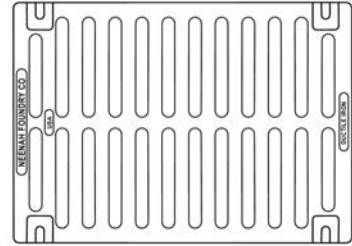
* Type D solid cover available.

** Type C grate available.

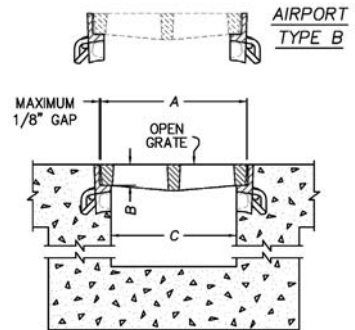
Gray iron furnished per ASTM-A48 Class 35B.

Ductile Iron furnished per ASTM A536 Grade 80-55-06.

These grates are also available with superior duty R-4993 & R-4994 frames as shown on page 287.



TYPE 'A'
GRATE OPENINGS



Supplied By:

**TRENCHDRAIN
SUPPLY**

877-903-7246

www.trenchdrainsupply.com